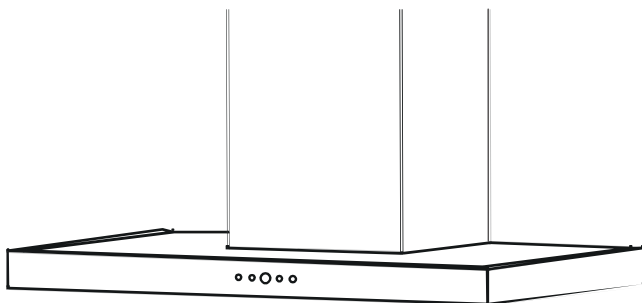


STOVES



Stoves Cooker Hood

User Manual

Contents

Introduction.....	3
Safety Precaution	4
Installation Instructions.....	5
Using the Hood	9
Care and Cleaning	12
Technical Data.....	13
Stoves Customer Care.....	14

Introduction

Thank you for buying this high quality hood from Stoves.

Our policy is one of constant development and improvement. Strict accuracy of illustrations and specifications is not guaranteed. Modification to design and materials may be necessary subsequent to publication.

Before using the appliance for the first time, remove all packaging and protective polythene film.

This appliance has been designed for use as an exhausting (air evacuation to the outside) or filtering (indoor air re-cycling) hood.

Note: This appliance does not come supplied with a ducting kit or carbon filters. Details for ordering these parts are at the back of the handbook.

Because of the complexity and weight of the appliance, it is recommended that the installation be carried out by specialist personnel.

The manufacturer declines all responsibility for damage caused by improper or installation.

Please read this handbook carefully and keep it for future reference.

Your first year Guarantee

To fulfil the conditions of your guarantee, this appliance must be correctly installed and operated in accordance with these instructions and only be used for normal domestic purposes.

Please refer to your guarantee card for further details.

Please note that the guarantee and Service availability only apply to the UK and Republic of Ireland.

SAFETY PRECAUTION

1. Take care when the cooker hood is operating simultaneously with an open fireplace or burner that depends on the air in the environment. The cooker hood removes the air from the environment which a burner or fireplace needs for combustion.

The negative pressure in the environment must not exceed 4Pa (4x10⁻⁵ bar). Provide adequate ventilation in the environment for a safe operation of the cooker hood. Follow the local laws applicable for external air evacuation.

Before connecting the model to the electricity network review the data plate (positioned inside the appliance) to confirm that the voltage and power correspond to the network and the socket is suitable. If in doubt ask a qualified electrician.

If the power supply cable is damaged it must be replaced. This can be obtained direct from the manufacturer.

This device must be connected to the supply network through either a plug fused 6A or hardwired to a 2 phase spur protected by 6A fuse.

2. Warning!

In certain circumstances electrical appliances may be a danger hazard.

A) Do not check the status of the filters while the cooker hood is operating.

B) Do not touch bulbs or adjacent areas during or straight after prolonged use of the lighting installation.

C) Flambè cooking is prohibited underneath the cooker hood.

D) Avoid free flame as it is damaging for the filters and a fire hazard.

E) Do not leave food frying unattended as the overheated oil may become a fire hazard.

F) Disconnect the electrical connection prior to any maintenance.

G) This appliance is not intended for use by young children or infirm persons without supervision.

H) Young children should be supervised to ensure they do not play with the appliance.

I) There shall be adequate ventilation of the room when the hood is used at the same time as appliances burning gas or other fuels other than electric.

L) There is a risk of fire if cleaning is not carried out in accordance with the instructions.

This appliance conforms to the European Directive 2012/19/EU, Waste Electrical and Electronic Equipment (WEEE).

The symbol on the product or on the accompanying paperwork indicates that the appliance should not be treated as domestic waste, but should be delivered to a suitable electric and electronic appliance recycling collection point.

Follow local guidelines when disposing of waste.

For more information on the treatment, re-use and recycling of this product, please contact your local authority, domestic waste collection service or the retailer where the appliance was purchased.

INSTALLATION INSTRUCTIONS

- Assembly and electrical connections must be carried out by specialised personnel.
- Wear protective gloves before proceeding with the installation.
- Electric Connection:
 - The appliance has been manufactured as a class II, therefore no earth cable is necessary. The power point must be easily accessible after the installation of the appliance. If the appliance is equipped with power cord without plug, a suitably dimensioned omnipolar switch with 3 mm minimum opening between contacts must be fitted between the appliance and the electricity supply in compliance with the load and current regulations.
 - The connection to the mains is carried out as follows:
BROWN = L line
BLUE = N neutral.
- If the hob is electric, gas, or induction, the minimum distance between the same and the lower part of the hood must be at least 65 cm. If a connection tube composed of two parts is used, the upper part must be placed outside the lower part.
Do not connect the cooker hood exhaust to the same conductor used to circulate hot air or for evacuating fumes from other appliances generated by other than an electrical source.
Before proceeding with the assembly operations, remove the anti-grease filter(s) (Fig.1) so that the unit is easier to handle.
 - In the case of assembly of the appliance in the suction version prepare the hole for evacuation of the air.

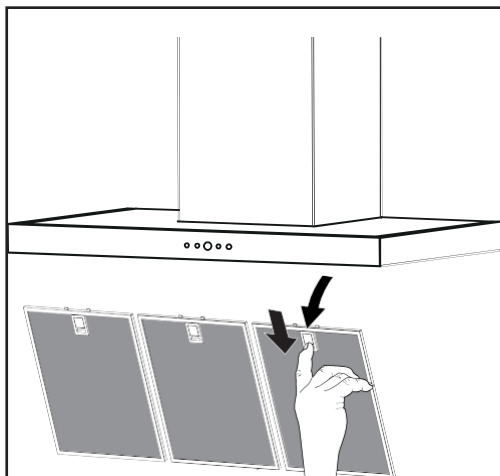


FIG.1

- We recommend the use of an air exhaust tube which has the same diameter as the air exhaust outlet hole. If a pipe with a smaller diameter is used, the efficiency of the product may be reduced and its operation may become noisier.
- If your appliance has been designed for use in habitations supplied with a centralised suction device perform the following operations:
 - The switch controls opening and closure of a valve using a thermo electrical device. By placing the switch in the ON position, after a minute, the valve opens rotating 90° allowing suction of the stale air. By placing the switch in the OFF position, the valve closes after 100 seconds.

- Fixing to the wall:

Drill 3 holes to accommodate the bracket (Fig.2). Screw and tighten the bracket onto the wall with the screws & screw plugs provided. Lift the cooker hood up and hang it onto the wall bracket hook (Fig.2).

Fix the appliance to the wall and align it in horizontal position to the wall units. When the appliance has been adjusted, definitely fix the hood using the screws B (Fig.2). For the various installations use screws and screw anchors suited to the type of wall (e.g. reinforced concrete, plasterboard, etc.).

If the screws and screw anchors are provided with the product, check that they are suitable for the type of wall on which the hood is to be fixed.

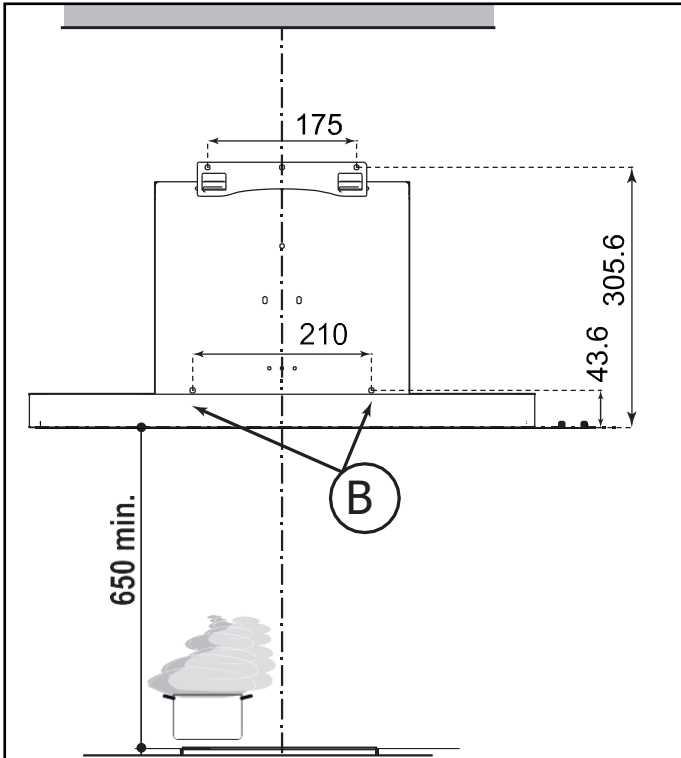


FIG.2

- Fixing the decorative telescopic flue:

Arrange the electrical power supply within the dimensions of the decorative flue. If your appliance is to be installed in the ducting version or in the version with external motor, prepare the air exhaust opening. Adjust the width of the support bracket of the upper flue (Fig.5). Then fix it to the wall using the screws in such a way that it is in line with your hood and respecting the distance from the ceiling.

Connect the flange C to the air exhaust hole using a connection pipe (Fig.5). Insert the upper flue into the lower flue and rest above the frame. Extract the upper flue up to the bracket and fix it with the screws or hang the flue by matching both side blocks (Fig.6). To transform the hood from a ducting version into a filtering version, ask your dealer for the charcoal filters and follow the installation instructions.

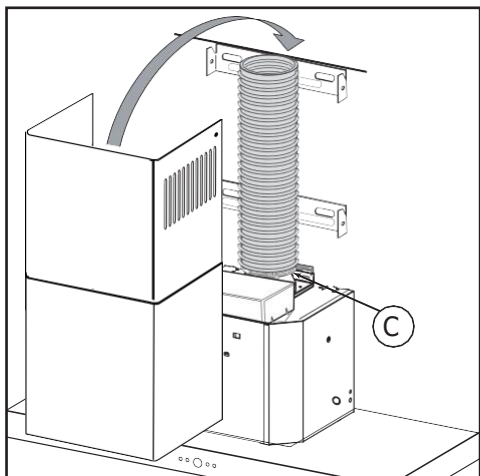


FIG.5

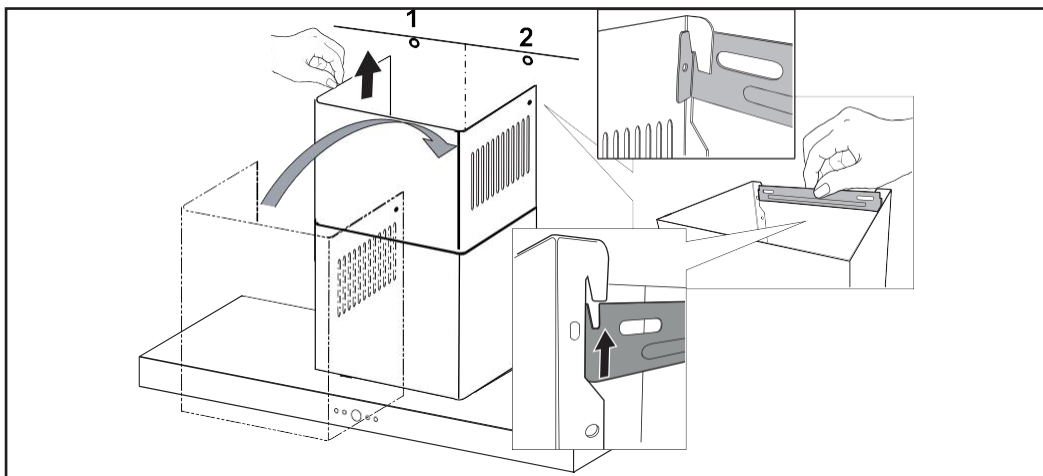


FIG.6

- Filtering version:

Install the hood and the two flues as described in the previous paragraph " Fixing the decorative telescopic flue". To assemble the filtering flue refer to the instructions contained in the kit. If the kit is not provided, order it from your dealer as accessory. The filters must be applied to the suction unit positioned inside the hood. They must be centred by turning them 90 degrees until the stop catch is tripped (Fig.7).

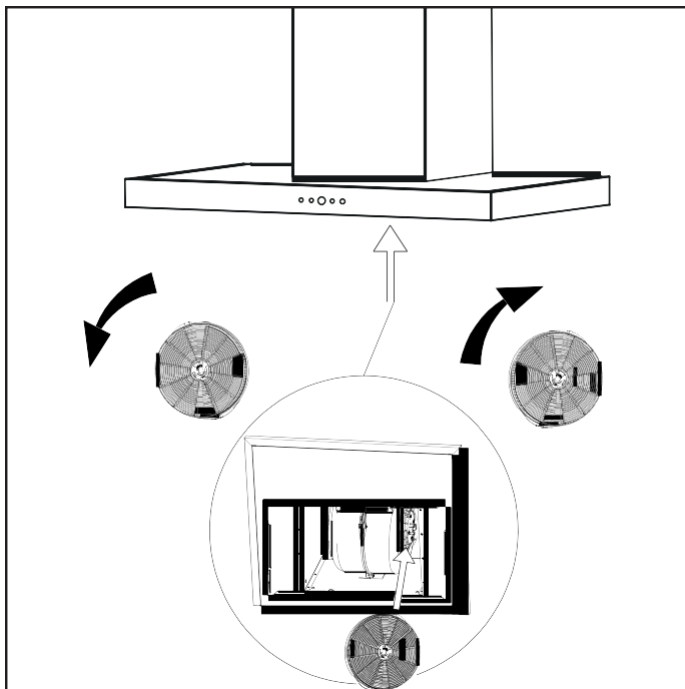


FIG.7

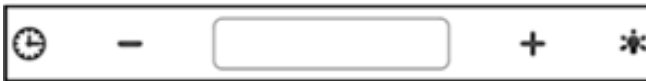
USING THE HOOD

LCD Display



1. Fan Symbol: Rotates when the fan is working. When the speed is increased, the fan rotates faster. When the symbol "TURBO" is shown the fan speed is in intensive mode for 5 minutes.
2. Time Display
3. Timer Symbol: Will illuminate when timer function is set.
4. Light: Illuminates when the lights are switched on.
5. Fan Speed: Increases illumination when speed increases.
6. Alarm symbol: Illuminates once timed function has ended.
7. Filter Clean Symbol: Illuminates when aluminium filters need cleaning (every 14 hours operated).

Touch Control



When the hood is initially switched on the "Filter Clean" symbol will illuminate. To clear press the light symbol twice.



Light Button

Used to switch the lights on and off.

With the lights switched on press and hold the light symbol to view the current filter time elapsed of the 14 hours before the filters need cleaning.



Timer Button

To set the current time press the "Timer" symbol once and the hour will flash, use the + and - to set the correct hour. Press the "Timer" symbol again and the minute will flash, set the minute using + & to set the minute.

Once the minute has been set leave until the minute stops flashing, this will set the time.

Operation of Hood



Speed plus button: To increase the speed of the fan (Level 1,2, 3 & Turbo).



Speed decrease button: To decrease the speed of the fan. A short press of the + or - symbols will either increase or decrease the fan speed by one setting.

A long press of the + symbol will operate the "Turbo" function, a long press of the - symbol will switch the fan off.

Timed Operation

When the hood is operational you can set a timed duration to automatically switch the hood off. To set the timer tap the "Timer" symbol to scroll through each pre-set time delay.

Each tap of the "Timer" symbol will add 15 minutes delay up to a max of 60 mins.

At any point whilst setting the timed operation (whilst the timer symbol is flashing) you can use the + & - symbols to set any time between 1 and 99 minutes. Once the timer symbol stops flashing the timed operation will begin.

Once the timed operation is set the clock will then count down and switch off the fan/lights once the time has elapsed. An alarm symbol will illuminate and an audible alarm will sound for a few seconds.

To cancel the timed operation press and hold the "-" symbol at any point.

The fan speed can be adjusted in timed operation with taps of the + & - symbols.

Quick Timer function

When the hood is operational you can set a quick countdown automatically switch the hood off after 5 minutes.

To operate this function press and hold + & - symbols together for 1 second. The digital display will flash and go into a 5 minutes countdown. After 5 minutes the fan/lights will turn off automatic and an audible alarm will sound.

To cancel the quick timer press and hold the "-" symbol at any point.

CARE & CLEANING

Before cleaning or maintenance switch off the electricity supply.

Replacing the LED Lights

If the appliance version is with LED lamps, the intervention of a specialised technician is necessary to replace them

Outer Casing

All external parts of the outer casing can be safely cleaned with a clean cloth wrung out in hot soapy water.

Do not use caustic pastes, abrasive cleaning powders, wire wool, hard implements or any products containing chlorides as they will damage the surfaces.

Stubborn marks can be removed using a stainless steel cleaner. We recommend that you clean the whole of the stainless steel area to maintain a uniform finish.

Sharp objects can mark the surface of stainless steel, but marks will become less noticeable with time.

To maintain the finish of the stainless steel, or to remove any greasy marks, wipe the stainless steel surface sparingly with a minimum amount of Baby Oil and kitchen paper.

Do not use cooking oils, as these may contain salt, which can damage the stainless steel surface.

Before cleaning or maintenance switch off the electricity supply.

To avoid any fire risk, the following cleaning instructions must be followed:

Grease Filters

The grease filters absorb grease and dust from cooking fumes, which would otherwise damage the inside of the hood.

The grease filters should be removed and cleaned regularly - with normal use, this should be every 2 months.

To clean use warm soapy water, or wash in a dishwasher. The grease filters may slightly change colour following washing, however this does not affect their performance.

Important: Frequent washing is essential to prevent a build-up of grease in the filters which could become a fire hazard.

1. Remove the filters from the hood.
2. Carefully wash the grease filters in hot soapy water and dry with a clean towel.
3. Refit the clean filters.

Carbon Filters (models installed for use with the re-circulation method only)

The carbon filters absorb cooking odours and need renewing after about 6 months of normal use. Replacement carbon filters can be obtained from our Customer Care (details at the rear of the handbook).

Saturation of the activated charcoal in the filter will depend on how often the hood is used, the type of kitchen and the regularity of cleaning the grease filter.

The carbon filters cannot be washed - renew every 6 months.

TECHNICAL DATA

Electricity Supply

230 - 240V ~ 50Hz

Classification

class II

Noise Level (External Venting)

Booster 70 dBA

Position 3 58 dBA

Position 1 49 dB

Light Bulbs

2 x 1.5W LED

Motor Rating

203W

Grease Filters

2 Off - Aluminium panel

Note: After cleaning, grease filters may lose their colour slightly - this does not affect their performance.

Carbon Filters

2 Off - Available as Spares

Extraction Rate (External)

Booster 547,9 m³/h

Position 3 453,1 m³/h

Position 1 423,6 m³/h

Stoves Customer Care

Please keep this handbook in a safe place.

Please fill in the model number and serial number in the spaces provided below as they will assist us should you need to call.

0344 815 3740

When you dial this number you will hear a recorded message and be given a number of options. This indicates that your call has been accepted and is being held in a queue. Calls are answered in strict rotation as our Customer Care Representatives become available.

Enter appliance numbers here for future reference:

Model No							
<input type="text"/>	<input type="text"/>	<input type="text"/>	<input type="text"/>	<input type="text"/>	<input type="text"/>	<input type="text"/>	<input type="text"/>
Serial No							
<input type="text"/>	<input type="text"/>	<input type="text"/>	<input type="text"/>	<input type="text"/>	<input type="text"/>	<input type="text"/>	<input type="text"/>

These numbers can be found on your appliances.
Outside the UK and Northern Ireland, refer to your local supplier.

STOVES

Stoney Lane, Prescot, Merseyside, L35 2XW