

S T O V E S

ST NF60208SS

User Manual



CONTENTS

1 Safety warnings

1.1 Warning	1
1.2 Meanings of safety warning symbols	2
1.3 Electricity related warnings	2
1.4 Warnings for using	3
1.5 Warnings for placement	3-4
1.6 Warnings for energy	4
1.7 Warnings for disposal	4

2 Proper use of the refrigerator

2.1 Placement	5
2.2 Door handle installation	6
2.3 Levelling feet	7
2.4 Door right-left change	7-9
2.5 Changing the Light	10
2.6 Starting	10
2.7 Energy saving tips	10

3 Structure and functions

3.1 Key components	11
3.1 Functions	12-13

4 Maintenance and care of the refrigerator

4.1 Overall cleaning	14
4.2 Cleaning glass shelf	14
4.3 Defrosting	14
4.4 Out of operation	14

5 Trouble shooting

5.1 Trouble shooting	15
----------------------	----

1 Safety warnings

1.1 Warning



Warning: risk of fire / flammable materials

RECOMMENDATIONS:

This appliance is intended for domestic use only. Any use in commercial or business related activities will nullify the warranty.

For EN standard: This appliance can be used by children aged from 8 years and above and persons with reduced physical sensory or mental capabilities or lack of experience and knowledge if they have been given supervision or instruction concerning use of the appliance in a safe way and understand the hazards involved. Children shall not play with the appliance. Cleaning and user maintenance shall not be made by children without supervision. (Europe directive optional)

For IEC standard: This appliance is not intended for use by persons (including children) with reduced physical, sensory or mental capabilities, or lack of experience and knowledge, unless they have been given supervision or instruction concerning use of the appliance by a person responsible for their safety.

Children should be supervised to ensure that they do not play with the appliance.

If the supply cord is damaged, it must be replaced by the manufacturer, its service agent or similarly qualified persons in order to avoid a hazard.

Do not store explosive substances such as aerosol cans with a flammable propellant in this appliance.

The appliance has to be unplugged after use and before carrying out user maintenance.

WARNING: Risk of fire / flammable materials.

WARNING: Keep ventilation openings, in the appliance enclosure or in the built-in structure, clear of obstruction.

WARNING: Do not use mechanical devices or other means to accelerate the defrosting process, other than those recommended by the manufacturer.

WARNING: Do not damage the refrigerant circuit.

WARNING: Do not use electrical appliances inside the food storage compartments of the appliance, unless they are of the type recommended by the manufacturer.

WARNING: Please discard the refrigerator according to local regulators for its use flammable blowing gas and

Do not use extension cords or ungrounded (two prong) adapters

DANGER: Risk of child entrapment. Before you throw away your old refrigerator or freezer:

–Take off the doors

–Leave the shelves in place so that children may not easily climb inside

The refrigerator must be disconnected from the source of electrical supply before attempting the installation of accessory

Refrigerant and cyclopentane foaming material used for the refrigerator are flammable.

Therefore, when the refrigerator is scraped, it should be kept away from any fire source and be recovered by a specialist recovering company with corresponding qualification or risk combustion, so as to prevent damage to the environment or any other harm.

1.2 Meaning of safety warning symbols



Prohibition symbol

This is a prohibition symbol.
Any in compliance with instructions marked with this symbol may result in damage to the product or endanger the personal safety of the user.



Warning symbol

This is a warning symbol.
It is required to operate in strict observance of instructions marked with this symbol; or otherwise damage to the product or personal injury may be caused.

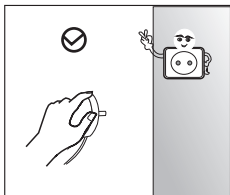


Note symbol

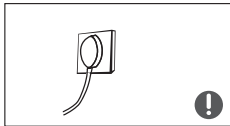
This is a cautioning symbol.
Instructions marked with this symbol require special caution. Insufficient caution may result in slight or moderate injury, or damage to the product.

This manual contains lots of important safety information which shall be observed by the users.

1.3 Electricity related warnings



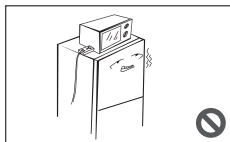
- Do not pull the power cord when pulling the power plug of the refrigerator. Please firmly grasp the plug and pull it out from the socket directly.
- To ensure safe use, do not damage the power cord or use the power cord when it is damaged or worn.



- Please use a dedicated power socket and the power socket should not be shared with other electrical appliances. The power plug should be firmly contacted with the socket or else fires might be caused.
- Please ensure that the grounding electrode of the power socket is equipped with a reliable grounding line.

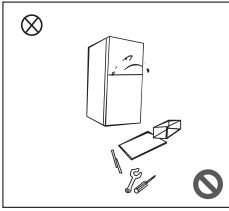


- Please turn off the valve of the leaking gas and then open the doors and windows in case of leakage of gas and other flammable gases. Do not unplug the refrigerator and other electrical appliances considering that spark may cause a fire.

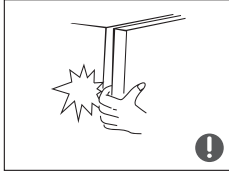


- Do not use electrical appliances on the top of the appliance, unless they are of the type recommended by the manufacturer.

1.4 Warnings for using



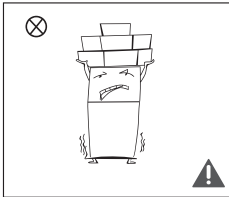
- Do not arbitrarily disassemble or reconstruct the refrigerator, nor damage the refrigerant circuit; maintenance of the appliance must be conducted by a specialist
- Damaged power cord must be replaced by the manufacturer, its maintenance department or related professionals in order to avoid danger.



- The gaps between refrigerator doors and between doors and refrigerator body are small, be noted not to put your hand in these areas to prevent from squeezing the finger. Please be gentle when closing the refrigerator door to avoid falling articles.
- Do not pick foods or containers with wet hands in the freezing chamber when the refrigerator is running, especially metal containers in order to avoid frostbite.

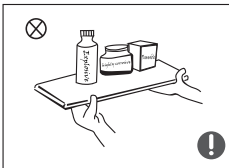


- Do not allow any child to get into or climb the refrigerator; otherwise suffocation or injury due to falling may be caused.

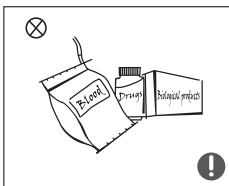


- Do not place heavy objects on the top of the refrigerator considering that objectives may fall when closing and opening the door, and accidental injuries might be caused.
- Please pull out the plug in case of power failure or cleaning. Do not connect the freezer to power supply within five minutes to prevent damages to the compressor due to successive starts.

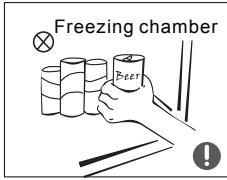
1.5 Warnings for placement



- Do not put flammable, explosive, volatile and highly corrosive items in the refrigerator to prevent damages to the product or fire accidents.
- Do not place flammable items near the refrigerator to avoid fires.



- The refrigerator is intended for household use, such as storage of foods; it shall not be used for other purposes, such as storage of blood, drugs or biological products, etc.



- Do not store beer, beverage or other fluid contained in bottles or enclosed containers in the freezing chamber of the refrigerator; or otherwise the bottles or enclosed containers may crack due to freezing.

1.6 Warnings for energy

Warning for energy

- 1) Refrigeration appliances may not operate properly when used in very cold areas.
- 2) This appliance is not suitable for use in outside areas such as unheated sheds / garages.
- 3) Fizzy drinks should not be stored in the freezer section.
- 4) Food should not be stored for any longer than recommended on the packaging for health reasons.
- 5) When defrosting your appliance, please take any necessary precautions to prevent the temperature of your food rising, such as wrapping it in several layers of newspaper or storing it in an alternative appliance.
- 6) Please ensure that, for doors or lids fitted with locks and keys, the keys be kept out of the reach of children and not in the vicinity of the refrigerating appliance, in order to prevent children from being

1.7 Warnings for disposal

Refrigerant and cyclopentane foaming material used for the refrigerator are flammable.

Therefore, when the refrigerator is scraped, it should be kept away from any fire source and be recovered by a specialist recovering company with corresponding qualification



or risk combustion, so as to prevent damage to the environment or any other harm.



When the refrigerator is scraped, disassemble the doors, and remove gasket of door and shelves; put the doors and shelves in a safe place, so as to prevent trapping of any child.

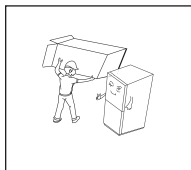


Correct Disposal of this product:

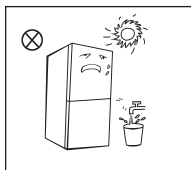
This marking indicates that this product should not be disposed with other household wastes throughout the EU. To prevent possible harm to the environment or human health from uncontrolled waste disposal, recycle it responsibly to promote the sustainable reuse of material resources. To return your used device, please use the return and collection systems or contact the retailer where the product was purchased. They can take this product for environmental safe recycling.

2 Proper use of refrigerators

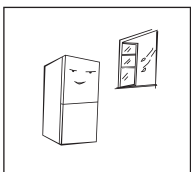
2.1 Placement



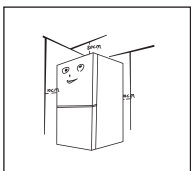
- Before use, remove all packing materials, including bottom cushions, foam pads and tapes inside of the refrigerator; tear off the protective film on the doors and the refrigerator body.



- Keep away from heat and avoid direct sunlight. Do not place the freezer in moist or watery places to prevent rust or reduction of insulating effect.
- Do not spray or wash the refrigerator; do not put the refrigerator in moist places so water can't be easily splashed on the appliance as not to affect the electrical insulation properties of the refrigerator.



- The refrigerator is placed in a well-ventilated indoor place; the ground should be flat, and sturdy (rotate left or right to adjust the wheel for levelling if unstable).




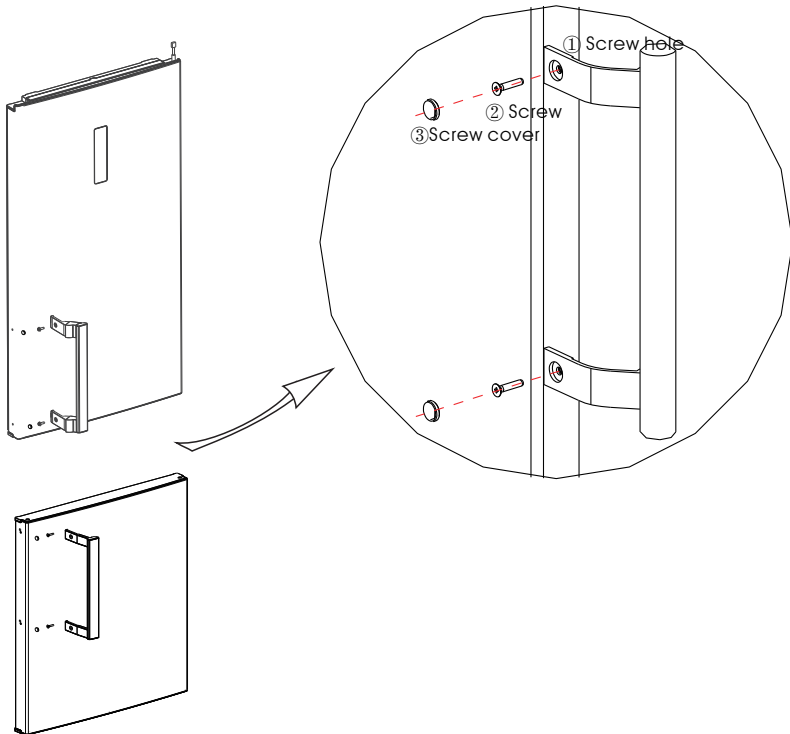
- The top space of the refrigerator should be greater than 30cm, and The refrigerator should be placed against a wall with a free distance more than 10cm to facilitate heat dissipation.

- ⓘ **Precautions before installation:**
Before installation or adjusting of accessories, it shall be ensured that the refrigerator is disconnected from power.
Precautions shall be taken to prevent fall of the handle from causing any personal injury.

2.2 Door handle installation

precautions shall be taken to prevent the handles from falling and causing any personal injury.

List of tools to be provided by the user	
	Cross screwdriver



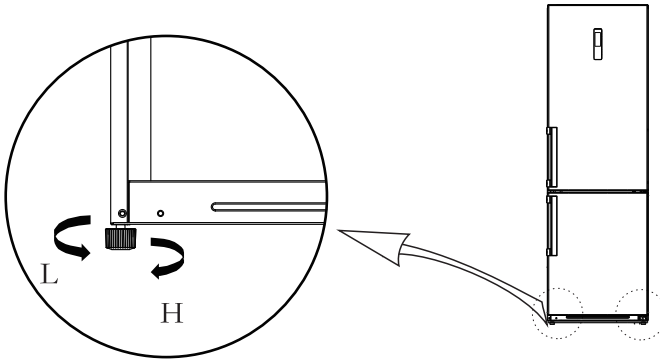
(The picture above is only for reference. The actual configuration will depend on the physical product or statement by the distributor)

Assembly steps

- Use cross screwdriver to fix screws ② into the screw hole ① tightly.
- Assemble the screw hole caps ③ on the screw hole of handle.
- The reverse operation is for disassembly.

2.3 Leveling feet

Schematic diagram of the leveling feet






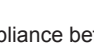


(The picture above is only for reference. The actual configuration will depend on the physical product or statement by the distributor)

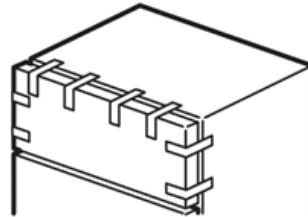
Adjusting procedures:

- Turn the feet clockwise to raise the refrigerator;
- Turn the feet counterclockwise to lower the refrigerator;
- Adjust the right and left feet based on the procedures above to a horizontal level.

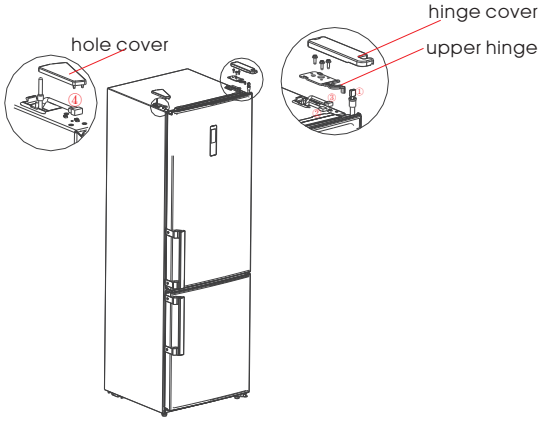
2.4 Door Right-Left Change

List of tools to be provided by the user			
	Cross screwdriver		Putty knife
	thin-blade screwdriver		5/16" socket and ratchet
	Masking tape		Masking tape

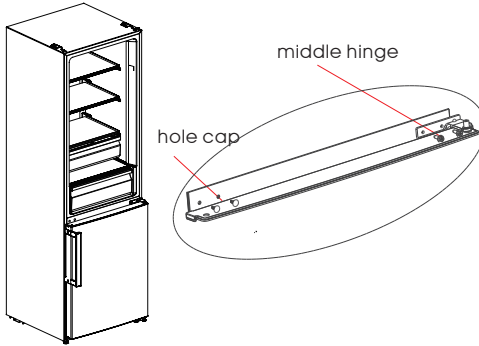
- Please power off this appliance before conducting this operation
Remove all food from door shelves.
Fix the door by tapes.



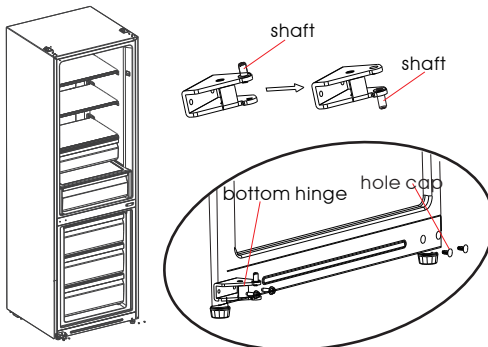
2) Dismantle the upper hinge cover, screws and upper hinge, and remove the hole cover from the other side. unplug the wiring connector on the right side of refrigerator top (①, ③ wiring connector) .



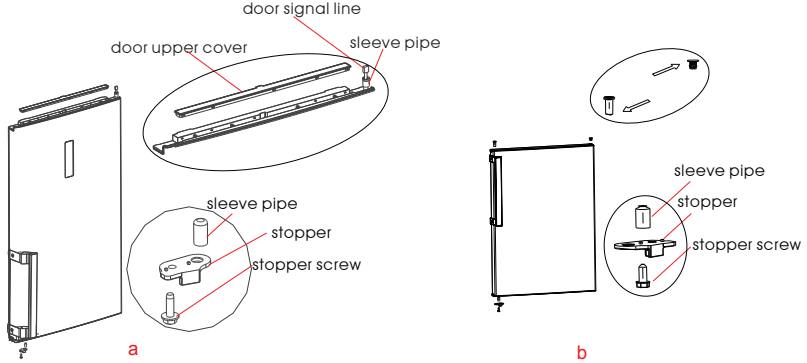
3) Take off refrigerating chamber door as well as middle hinge, hole cap .



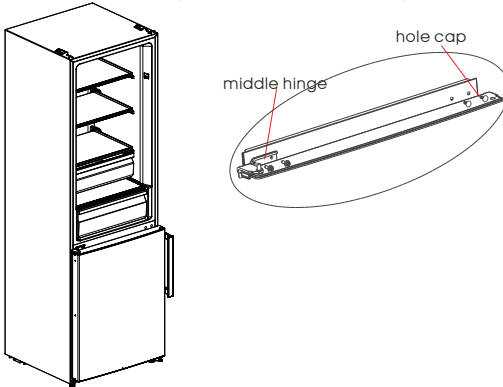
4) Take off freezing chamber door ,dismantle bottom hinge, hole caps. Install shaft of bottom hinge on the other side and install the bottom hinge on the other side of bottom beam .



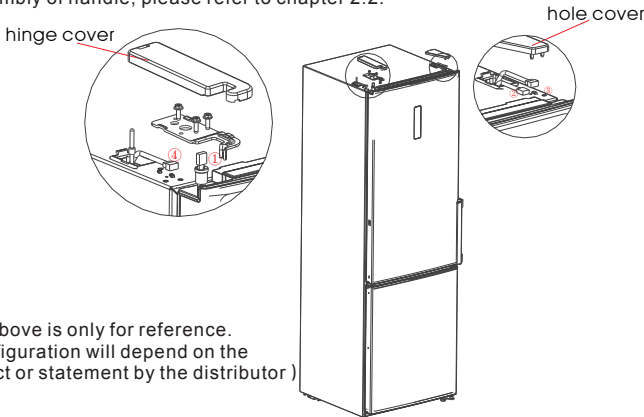
- 5)a) Remove the upper cover of refrigerating chamber door, install the upper hinge sleeve, door signal line to the other side and install the door upper cover,
Dismantle the stopper and sleeve pipe from the right bottom of freezing chamber door, take out another spare stopper(for reversible door), and assemble the sleeve pipe and spare stopper on left bottom of door by screw install the upper hinge sleeve , door signal line to the other side and install the door upper cover.
- b)Dismantle the stopper and sleeve pipe from the right bottom of freezing chamber door, take out another spare stopper(for reversible door), and assemble the sleeve pipe and spare stopper on left bottom of door by screw
Take off the sleeve pipe and hole caps on the freezing chamber door and mount it on the other side.



- 6)Put freezing door on bottom hinge and install middle hinge, hole caps



- 7)Take out the left top hinge , left top hinge cover from accessories package.
Put refrigerating door on middle hinge ,install top hinge,connect signal line terminal ④ with signal line terminal①,connect signal line terminal ② with signal line terminal③;install top hinge cover and hole cover.
For the assembly of handle, please refer to chapter 2.2.

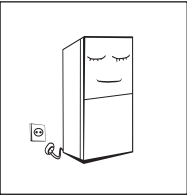


(The picture above is only for reference.
The actual configuration will depend on the
physical product or statement by the distributor)

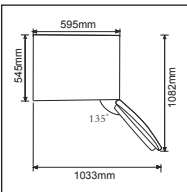
2.5 Changing the Light

Any replacement or maintenance of the LED lamps is intended to be made by the manufacturer, its service agent or similar qualified person.

2.6 Starting



- Before initial start, keep the refrigerator still for two hours before connecting it to power supply.
- Before putting any fresh or frozen foods, the refrigerator shall have run for 2-3 hours, or for above 4 hours in summer when the ambient temperature is high.



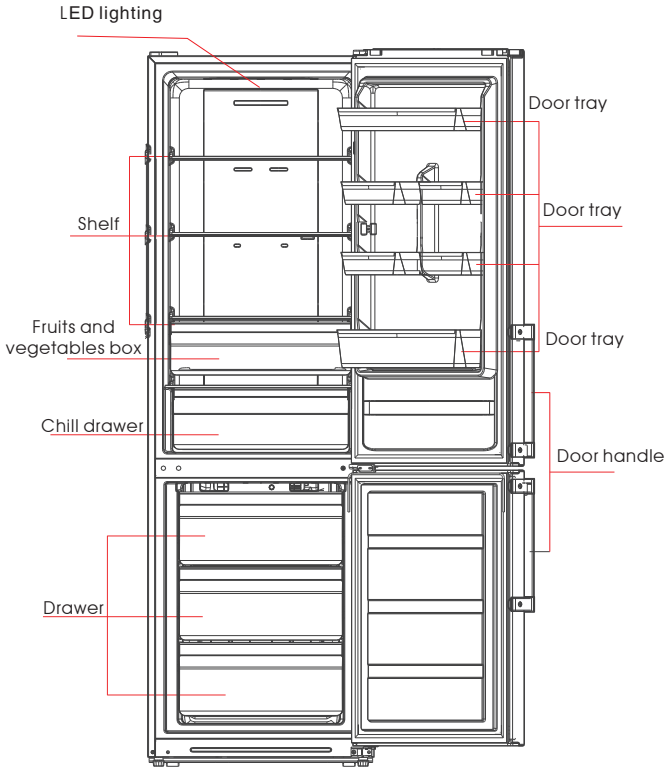
- Spare enough space for convenient opening of the doors and drawers or statement by the distributor.

2.7 Energy saving tips

- The appliance should be located in the coolest area of the room, away from heat producing appliances or heating ducts, and out of the direct sunlight.
- Let hot foods cool to room temperature before placing in the appliance. Overloading the appliance forces the compressor to run longer. Foods that freeze too slowly may lose quality, or spoil.
- Be sure to wrap foods properly, and wipe containers dry before placing them in the appliance. This cuts down on frost build-up inside the appliance.
- Appliance storage bin should not be lined with aluminum foil, wax paper, or paper toweling. Liners interfere with cold air circulation, making the appliance less efficient.
- Organize and label food to reduce door openings and extended searches. Remove as many items as needed at one time, and close the door as soon as possible.

3 Structure and functions

3.1 Key components



(The picture above is only for reference. The actual configuration will depend on the physical product or statement by the distributor)

Refrigerating chamber

- The Refrigerating Chamber is suitable for storage of a variety of fruits, vegetables, beverages and other food consumed in the short term.
- Cooked foods shall not be put in the refrigerating chamber until cooled to room temperature.
- Foods are recommended to be sealed up before putting into the refrigerator.
- The glass shelves can be adjusted up or down for a reasonable amount of storage space and easy use.

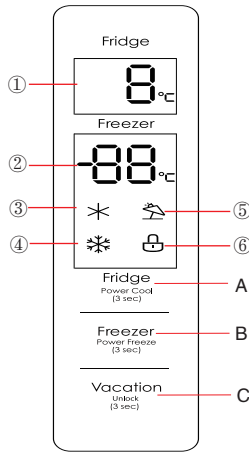
Freezing chamber

- The low temperature freezing chamber may keep food fresh for a long time and it is mainly used to store frozen foods and making ice.
- The freezing chamber is suitable for storage of meat, fish, rice balls and other foods not to be consumed in short term.
- Chunks of meat should be divided into small pieces for easy access. Please be noted food shall be consumed within the shelf time.

Chill drawer

- Suitable for short term (1-3 days) to eat fresh fish, fresh meat, fresh food, etc.
- Food classification and sealing pack is suggested

3.2 Functions



(The picture above is only for reference. The actual configuration will depend on the physical product or statement by the distributor)

Display screen

- ① Refrigerating chamber temperature display area
- ② Freezing chamber temperature display area
- ③ Quick cool icon
- ④ Quick freeze icon
- ⑤ Vacation icon
- ⑥ Lock icon


Operation button

- A. Temperature setting button of refrigerating chamber
- B. Temperature setting button of freezing chamber
- C. Vacation / lock button



Display

When powering on the refrigerator for the 1st time, the whole display panel will shine for 3 seconds, then the display panel enters the normal display. The first time for using the refrigerator, the default set temperatures of refrigerating chamber, freezing chamber is 5 °C/18 °C respectively.

When an error occurs, the display panel shows the error code (see next page); during normal running, the display panel shows the set temperature of refrigerating chamber, freezing chamber.


Under normal running, if there is no operation or opening door action within 30s, the display panel will be locked, the light of display panel will go out after the locked state  continued for 30s.

Lock /unlock


In the unlocked state, long press the lock button  for 3 seconds, enter the lock state, The icon  lights up and buzzer sounds, it means the display panel is locked, at this time, button operation cannot be implemented;

In the locked state, long press the lock button  for 3 seconds, enter the unlocked state, The icon  go out and buzzer sounds, it means the display panel is unlocked, at this time, button operation can be implemented;

Temperature setting of refrigerating chamber



Click the button  to change the set temperature of refrigerating chamber, each click of temperature adjusting button of the refrigerating chamber, the set temperature will be reduced 1 °C; The temperature setting range of refrigerating chamber is 2~8 °C. When the set temperature is 2 °C, Click the button again, the set temperature of refrigerating chamber will switch to 8 °C.

Temperature setting of freezing chamber

Click the button  to change the set temperature of freezing chamber, each click of temperature adjusting button of the freezing chamber, the set temperature will be reduced 1 °C; The temperature setting range for freezing chamber is -24~ -16°C. When the temperature is -24 °C, click the button again, the set temperature of freezing chamber will switch to -16 °C.

Mode setting

Quick cool mode

Long press the button  for 3s to set Quick cool mode, The icon  lights up.

The refrigerating chamber temperature display 2°C, enter the Quick cool mode.

Under Quick cool mode, long press the button  for 3s, The icon  go out .exit Quick cool mode.

The set temperature of refrigerating chamber will automatically switch back to set temperature before Quick cool mode. When set vacation mode, exit Quick cool mode.

Quick freeze mode

Long press the button  for 3s to set Quick freeze mode, The icon  lights up.

The freezing chamber temperature display -24°C, enter the Quick freeze mode.



Under Quick freeze mode, long press the button  for 3s, The icon  go out .exit Quick freeze mode.

The set temperature of freezing chamber will automatically switch back to set temperature before Quick freeze mode. When set vacation mode, exit Quick freeze mode.

Vacation mode

click the button  to set vacation mode, The icon  lights up.

The refrigerating chamber temperature display go out, the freezing chamber temperature display -18°C enter the vacation mode.

Under vacation mode, click the button  again, The icon  go out .exit vacation mode.

The set temperature of refrigerating chamber and freezing chamber will automatically switch back to set temperature before vacation mode.

When set Quick cool mode and Quick freeze mode, exit vacation mode.

Opening warning and alarm control

When open the refrigerator door, the door open music will play. If the door is not closed in two minutes, the buzzer will sound once every minute until the door is closed. Press any one button to stop the buzzer alarm

Fault indication

The following warnings appearing on the display indicate corresponding faults of the refrigerator. Though the refrigerator may still have cold storage function with the following faults, the user shall contact a maintenance specialist for maintenance, so as to ensure optimized operation of the appliance.

Fault Code	Fault Description
E1	Temperature sensor failure of refrigerating chamber
E2	Temperature sensor failure of freezing chamber
E3	Temperature sensor failure of chill drawer
E5	Freezing defrost sensor detection circuit error
E6	Communication error
E7	Ambient temperature sensor error

4. Maintenance and care of the appliance

4.1 Overall cleaning

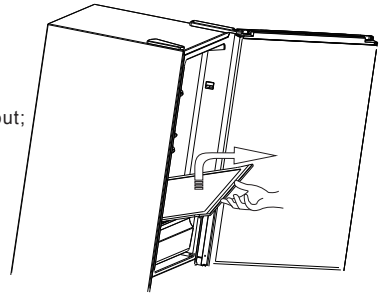
- Dusts behind the refrigerator and on the ground regularly to improve the cooling effect and energy saving. The interior of the refrigerator should be cleaned regularly to avoid odor. Soft towels or sponge dipped in water and non-corrosive neutral detergents are suggested for cleaning. The freezer of shall be finally cleaned with clean water and dry cloth. Open the door for natural drying before the power is turned on.
- Do not use hard brushes, clean steel balls, wire brushes, abrasives, such as toothpastes, organic solvents (such as alcohol, acetone, banana oil, etc.), boiling water, acid or alkaline items clean refrigerator considering that this may damage the fridge surface and interior.
- Do not rinse with water so as not to affect the electrical insulation properties.



⚠ Please unplug the refrigerator for defrost and cleaning.

4.2 Cleaning the glass shelf

- Remove the drawer on the glass shelf;
- Lift up the front of glass shelf (about 60°), and then pull out;
- Remove the glass shelf and clean as needed;
- The reverse operation is for installation of glass shelf.



4.3 Defrosting

- The refrigerator is made based on the air-cooling principle and thus has automatic defrosting function. Frost formed due to change of season or temperature may also be manually removed by disconnection of the appliance from power supply or by wiping with a dry towel.

4.4 Out of operation

- Power failure: In case of power failure, even if it is in summer, foods inside the appliance can be kept for several hours; during the power failure, the times of door opening shall be reduced, and no more fresh food shall be put into the appliance.
- Long-time nonuse: The appliance shall be unplugged and then cleaned; then the doors are left open to prevent odor.
- Moving: Before the refrigerator is moved, take all objects inside out, fix the glass partitions, vegetable holder, freezing chamber drawers and etc. with tape, and tighten the leveling feet; close the doors and fix them with tape. During moving, the appliance shall not be laid upside down or horizontally, or be vibrated; the inclination during movement shall be no more than 45°.

⚠ The appliance shall run continuously once it is started. Generally, the operation of the appliance shall not be interrupted; otherwise the service life may be impaired

5 Trouble shooting

5.1 You may try to solve the following simple problems by yourself. If they cannot be solved, please contact the after-sales department.

Failed operation	<p>Check whether the appliance is connected to power or whether the plug is in well contact</p> <p>Check whether the voltage is too low</p> <p>Check whether there is a power failure or partial circuits have tripped</p>
Odor	<p>Odorous foods shall be tightly wrapped</p> <p>Check whether there is any rotten food</p> <p>Clean the inside of the refrigerator</p>
Long-time operation of the compressor	<p>Long operation of the refrigerator is normal in summer when the ambient temperature is high</p> <p>It is not suggestible having too much food in the appliance at the same time</p> <p>Food shall get cool before being put into the appliance</p> <p>The doors are opened too frequently</p>
Light fails to light	<p>Check whether the refrigerator is connected to power supply and whether the illuminating light is damaged</p> <p>Have the light replaced by a specialist</p>
Doors cannot be properly closed	<p>The door is stuck by food packages Too much food is placed in the appliance</p> <p>The refrigerator is tilted</p>
Loud noise	<p>Check whether the floor is level and whether the refrigerator is placed stably</p> <p>Check whether accessories are placed at proper locations</p>
Door seal fails to be tight	<p>Remove foreign matters on the door seal</p> <p>Heat the door seal and then cool it for restoration (or blow it with an electrical drier or use a hot towel for heating)</p>
Water pan overflows	<p>There is too much food in the chamber or food stored contains too much water, resulting in heavy defrosting</p> <p>The doors are not closed properly, resulting in frosting due to entry of air and increased water due to defrosting</p>
Hot housing	<p>Heat dissipation of the built-in condenser via the housing, which is normal</p> <p>When housing becomes hot due to high ambient temperature, storage of too much food or shutdown of the compressor is shut down, provide sound ventilation to facilitate heat dissipation</p>
Surface condensation	<p>Condensation on the exterior surface and door seals of the refrigerator is normal when the ambient humidity is too high. Just wipe the condensate with a clean towel.</p>
Abnormal noise	<p>Buzz: The compressor may produce buzzes during operation, and the buzzes are loud particularly upon start or stop. This is normal.</p> <p>Creak: Refrigerant flowing inside of the appliance may produce creak, which is normal.</p>



Stoves Customer Care

Please keep this handbook in a safe place.

Please fill in the model number and serial number in the spaces provided below as they will assist us should you need to call.

0344 815 3740

When you dial this number you will hear a recorded message and be given a number of options. This indicates that your call has been accepted and is being held in a queue. Calls are answered in strict rotation as our Customer Care Representatives become available.

Enter appliance numbers here for future reference:

Model No									
<input type="text"/>	<input type="text"/>	<input type="text"/>	<input type="text"/>	<input type="text"/>	<input type="text"/>	<input type="text"/>	<input type="text"/>	<input type="text"/>	<input type="text"/>
Serial No									
<input type="text"/>	<input type="text"/>	<input type="text"/>	<input type="text"/>	<input type="text"/>	<input type="text"/>	<input type="text"/>	<input type="text"/>	<input type="text"/>	<input type="text"/>

These numbers can be found on your appliances.
Outside the UK and Northern Ireland, refer to your local supplier.

STOVES

Stoney Lane, Prescot, Merseyside, L35 2XW